



# Safety Instructions



0,1,2,4,6,7,8,9,11,15,  
22,25,27



Info Hotline **+49 (0) 5041 998 389**

Mon. - Do. 7<sup>00</sup> - 20<sup>00</sup>  
Fr. 7<sup>00</sup> - 17<sup>00</sup>

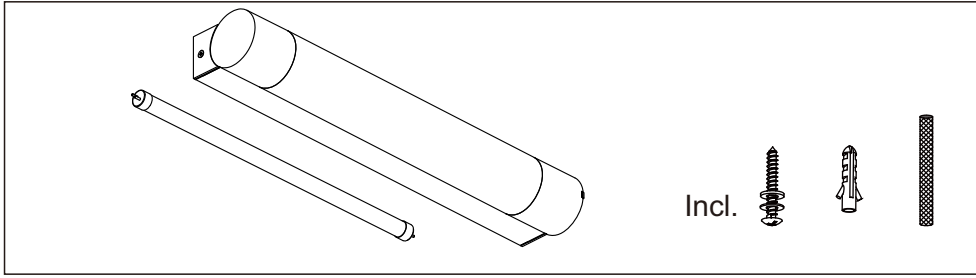
Paulmann Licht GmbH  
31832 Springe / Germany  
www.paulmann.com

Art.-Nr.:

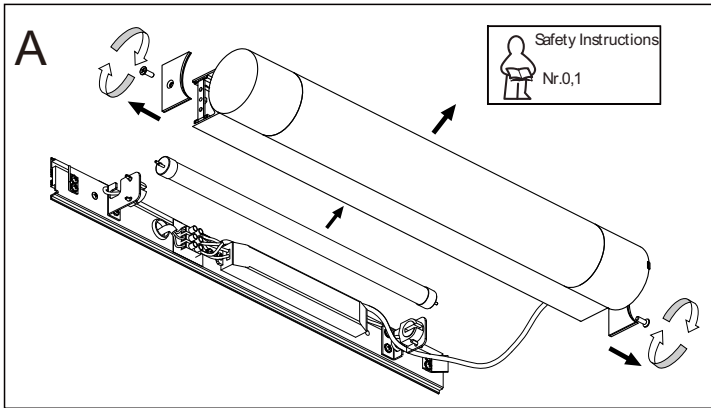
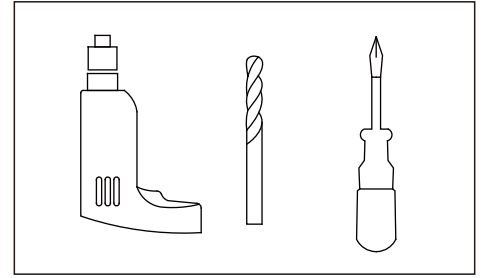
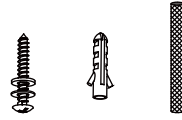
**703.62**  
**703.63**

(+MA 173)

PYW 08/14

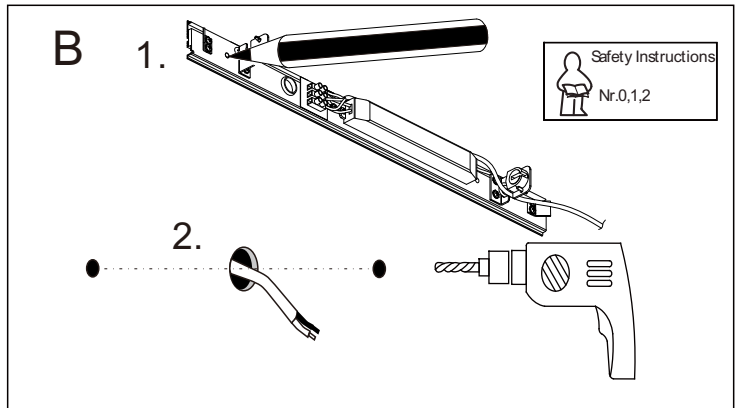


Incl.



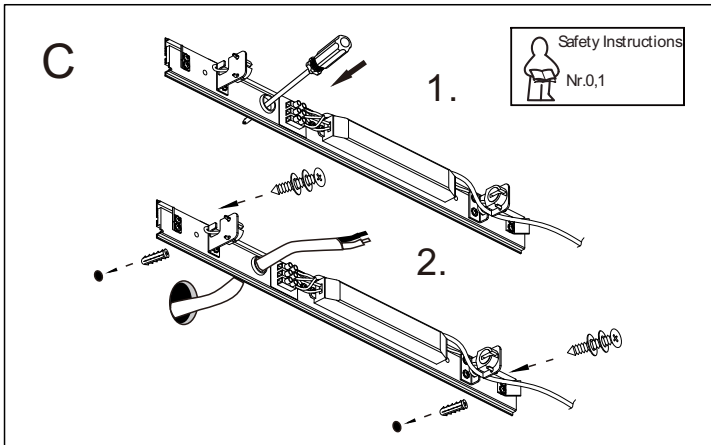
A

Safety Instructions  
Nr.0,1



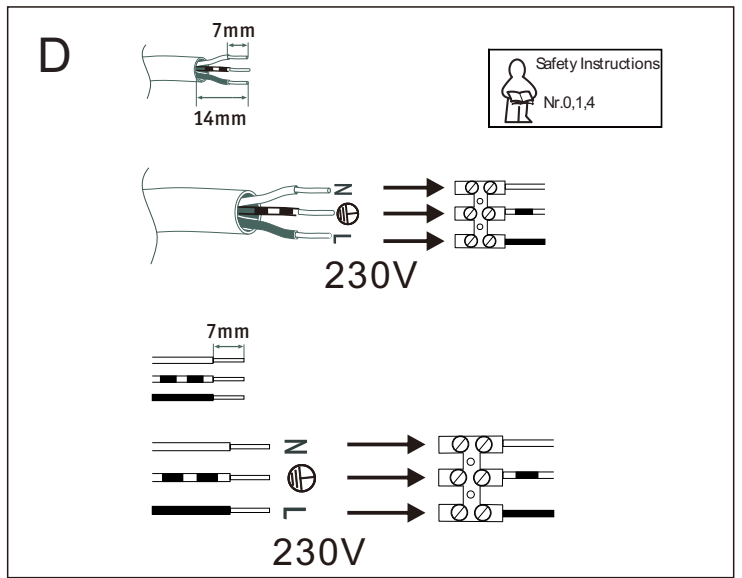
B

Safety Instructions  
Nr.0,1,2



C

Safety Instructions  
Nr.0,1

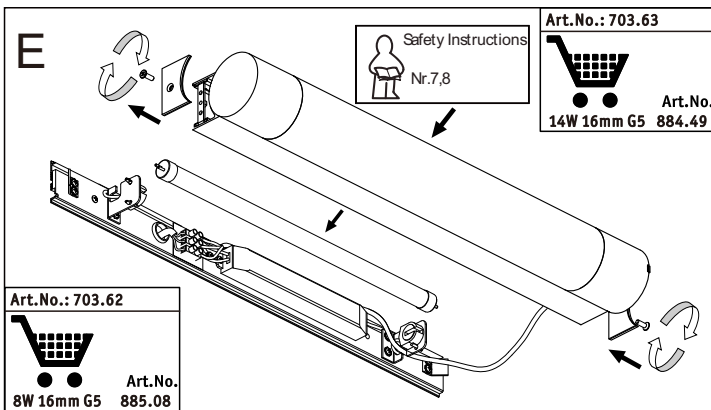


D

Safety Instructions  
Nr.0,1,4

230V

230V



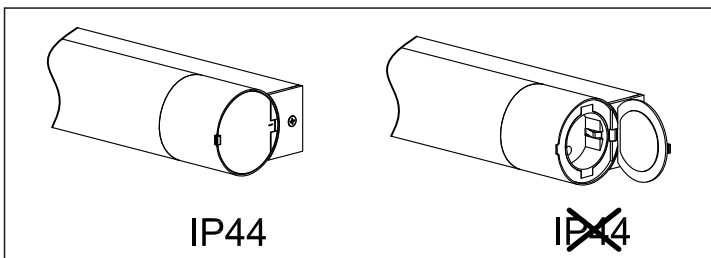
E

Safety Instructions  
Nr.7,8

Art.No.: 703.63

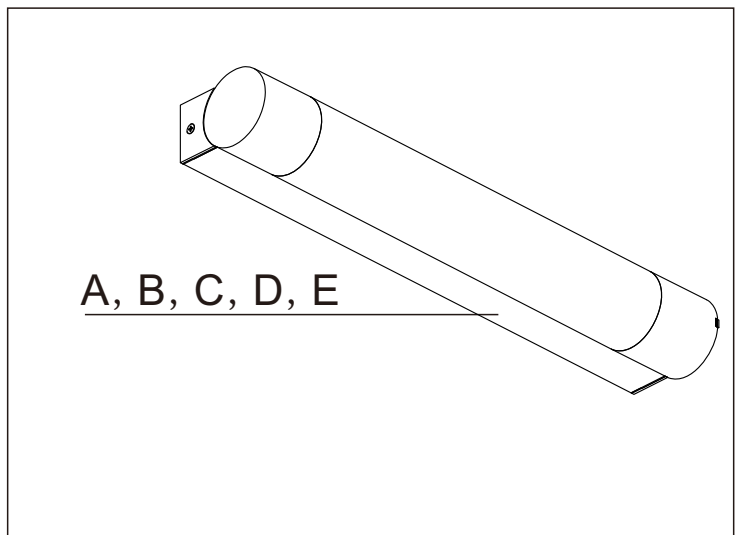
Art.No.  
14W 16mm G5 884.49

Art.No.: 703.62  
 Art.No.  
8W 16mm G5 885.08



IP44

~~IP44~~



A, B, C, D, E