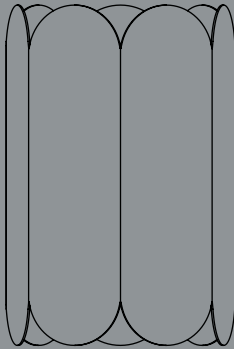


- INSTRUCTION MANUAL -

ARCS SHADE



DESIGN BY MULLER VAN SEVEREN

HAY

Arcs Shades are part of a series of arched designs created for HAY by Belgian duo Muller Van Severen. Formed from a continuous chain of curved arches that form a single element, the Arcs Shade creates a spatial volume that plays with light and shape. The shade can be used as a table lamp or pendant lamp suspended from the ceiling, both options forming contrasts in depth, colour and shape, resulting in an elegant scalloped silhouette. Crafted in steel, Arcs is available in several different colours or with a mirror surface. The cord sets for the shades are sold separately and are available in two designs – a table/floor variant with an in-line rocker switch, and a pendant variant for ceiling lamps. The cord sets are not supplied with a bulb.

ATTENTION

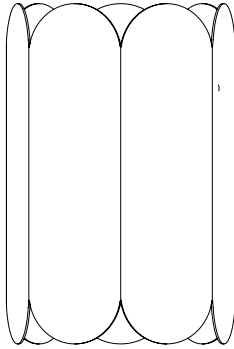
Ensure that the power supply to the circuit has clearly been turned OFF before installing the product. In some countries, electrical installation must be carried out by authorised electricians/contractors; please check with your local authority for guidance. The product must not be modified in any way. HAY accepts no responsibility for any products that have been modified or tampered with. If the external flexible cable or cord of this luminaire is damaged, it should be exclusively replaced by a qualified electrician in order to avoid an electrical hazard. Arcs Shade is designed for indoor use only.

NOTE: If you are using this shade in conjunction with a HAY Cord set, please follow the instructions that have been provided with it for safe installation. Arcs Shade is designed to be used with LED-based light sources only.

CARE AND MAINTENANCE

The product can be cleaned with a soft damp cloth and mild detergent, or a dry microfibre cloth. Do not use alcohol or any other solvents to clean the product and avoid using abrasive or rough sponges. Ensure that the power supply has been turned OFF before cleaning the product.


Shade

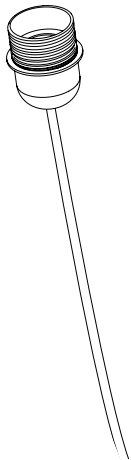


The Arcs Shade works either as a pendant or a table lamp,
depending on your chosen E26/E27 cord set.
Cord sets and LED bulbs are sold separately from the shades.

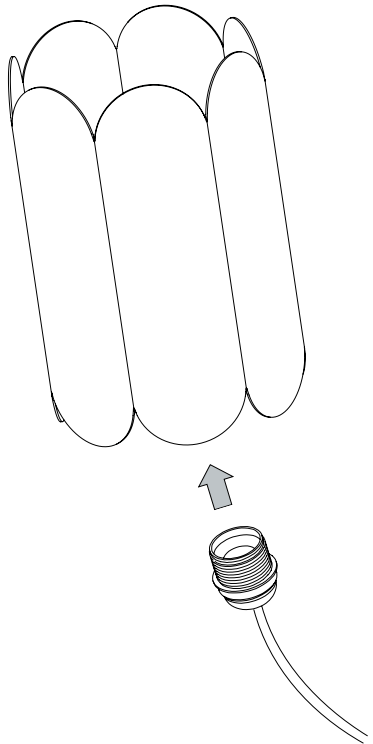
1.

Unscrew and remove the ring from the bulb holder of your chosen cord set.
Place the shade over the bulb holder with the bottom of the base facing downwards.

(1) 

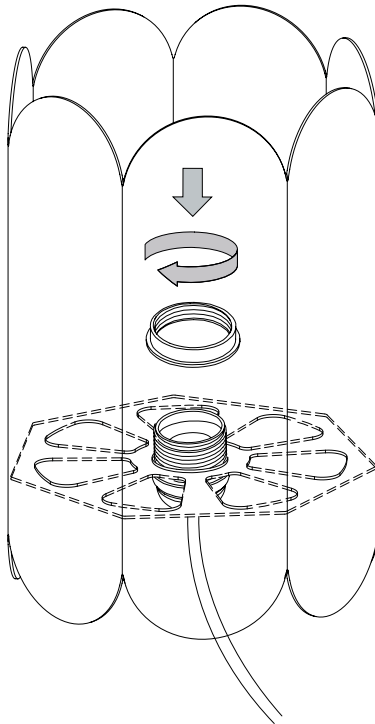


(2)



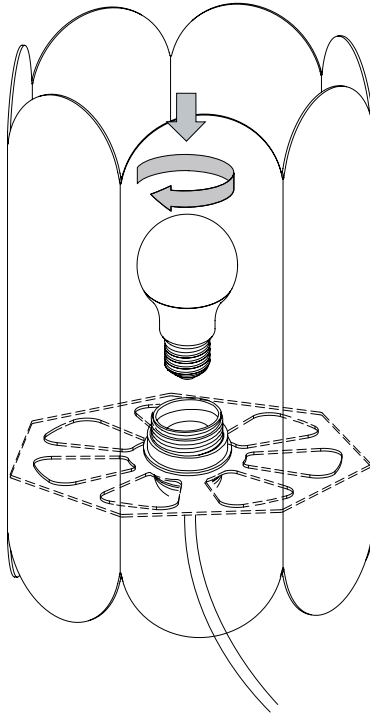
2.

Insert the bulb holder through the central hole in the base plate and clamp it in place by screwing the ring back onto the bulb holder. Take care to fasten the ring securely, especially if you are using the shade with the pendant cord set.



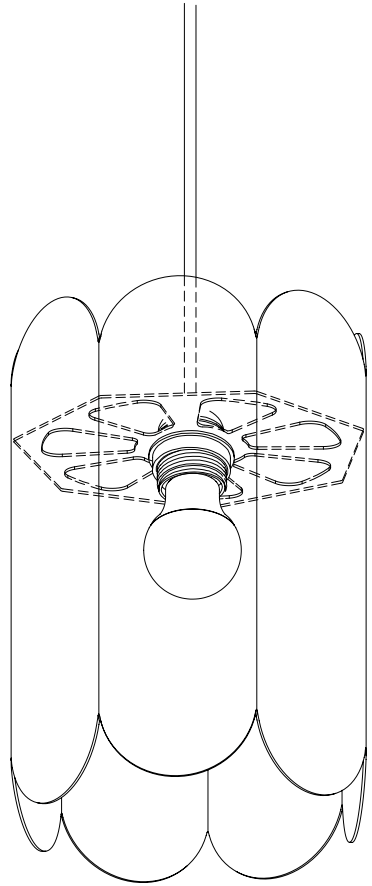
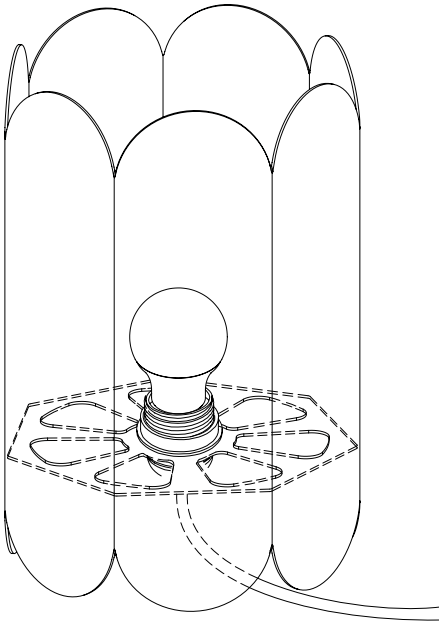
3.

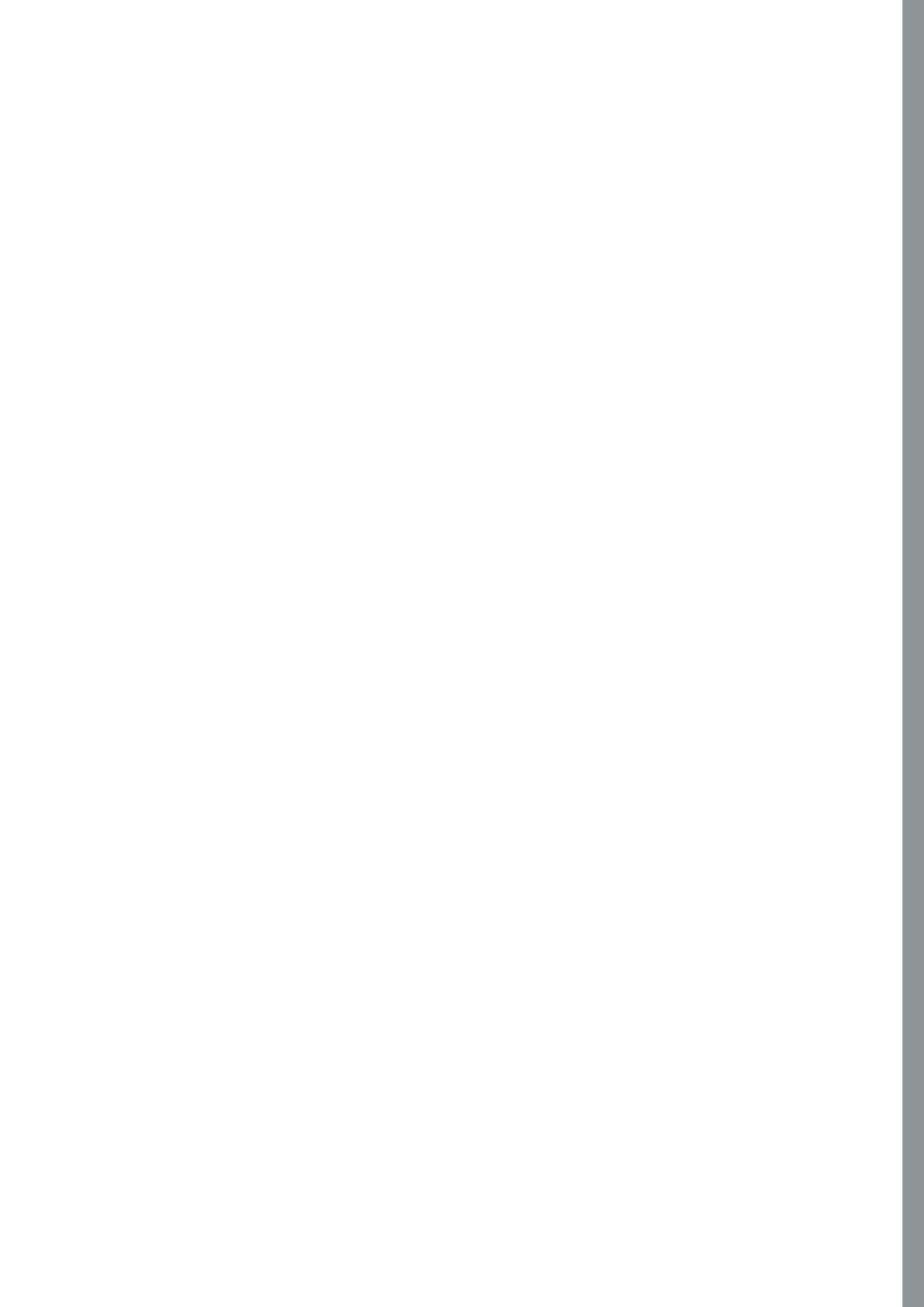
Screw an LED light bulb into the bulb holder.
Ensure the electricity is switched off before fitting the bulb to avoid damaging it.



4.

The Arcs Shade is now ready for use.





Havnen 1 8700 Horsens Denmark
+45 4282 0282 / hay@hay.com

711 Canal St. 3rd Floor Stamford CT 06902 United States
www.hay.com

14/12/2020

HAY