



#### CARE INSTRUCTIONS

Daily cleaning can be done by wiping the frame with a clean dry cloth. Should the surface need more attention this can be cleaned with water and a light detergent or soap applied with a damp cloth. Wipe after with a clean dry cloth. Avoid any abrasive materials.

#### TROUBLESHOOTING

If lamp does not light, turn off the power. Check the bulb for a broken filament. Replace bulb if necessary, then turn it on. If the lamp still does not light, please contact customer service at the local dealer. If the external flexible cable or cord of this lamp is damaged, it must be replaced by a qualified electrician in order to avoid a hazard.

#### TECHNICAL INFORMATION

Light sources: E27, 5W LED, T30, L185 - 250lm.  
Turn power off when changing light bulb. Isolation class II. The lamp is not approved for outdoor use in damp/wet rooms (IP20)



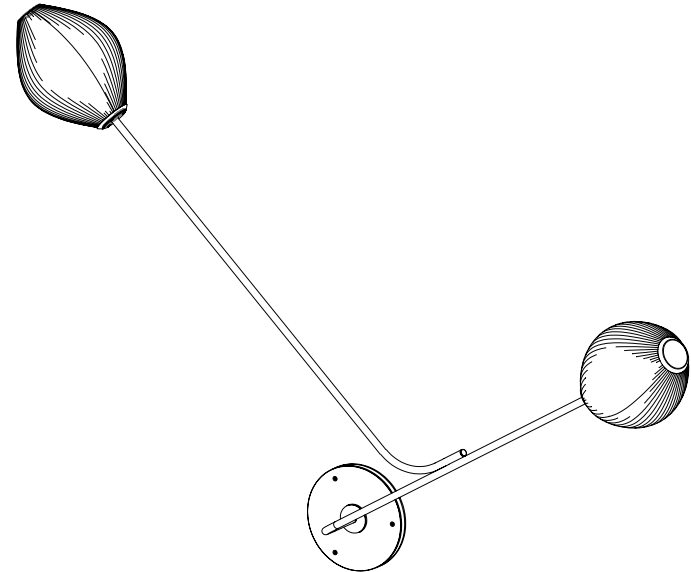
For enquiries contact GUBI A/S - CVR: 17940384  
Klubiensvej 7-9. 2150 Nordhavn. Copenhagen, Denmark  
T +45 69 15 60 60 – [order@gubi.com](mailto:order@gubi.com)  
GUBI.COM

# GUBI

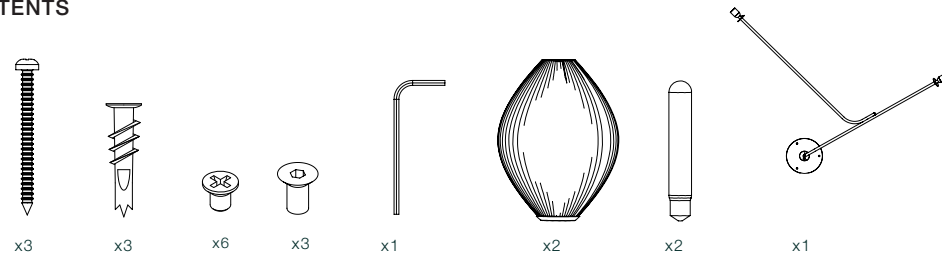
## ASSEMBLY INSTRUCTIONS

*for*

## Satellite Wall Lamp

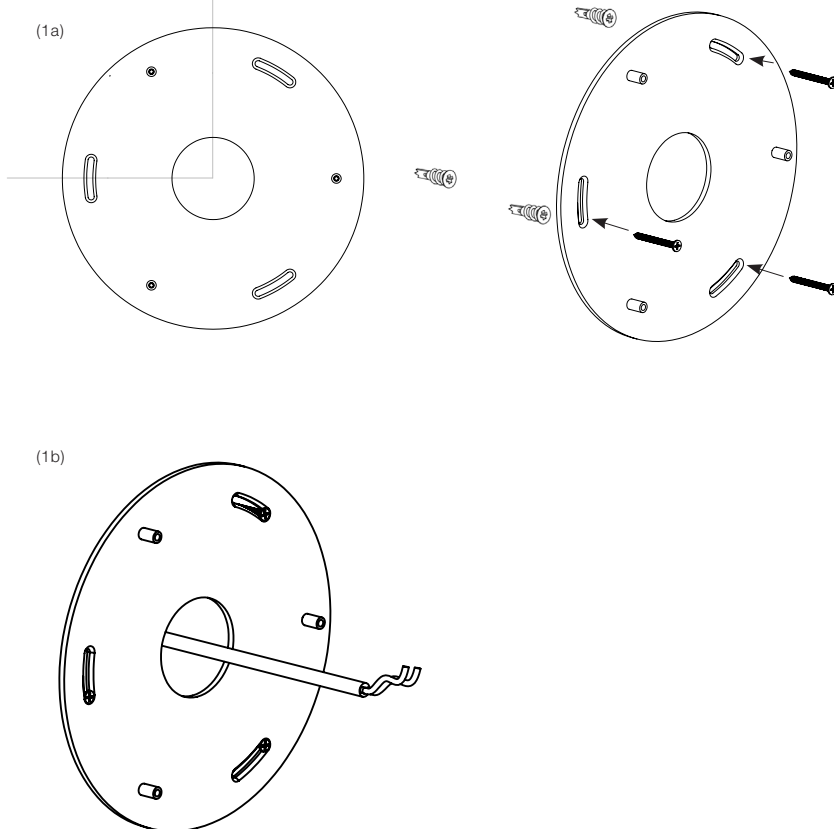


### CONTENTS



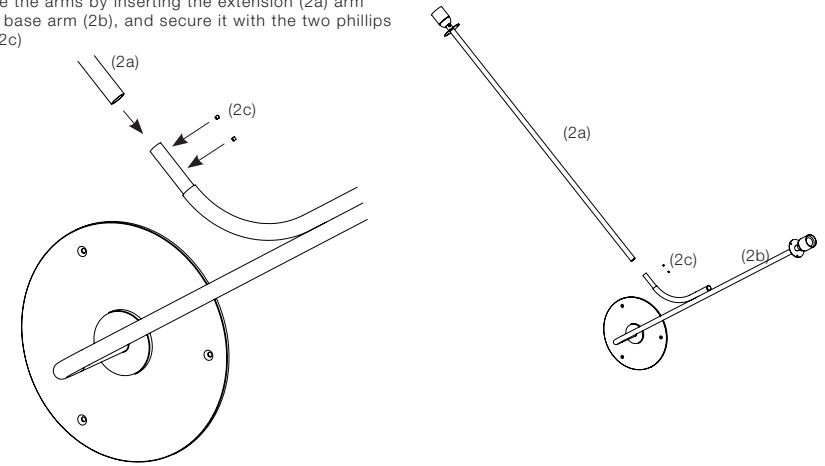
### 1.

Install the mounting bracket over the electrical outlet using the tree supplied wall plugs and wood screws. Make sure to horizontally align the wall bracket (1a) and have sufficient access to the mains wires (1b)



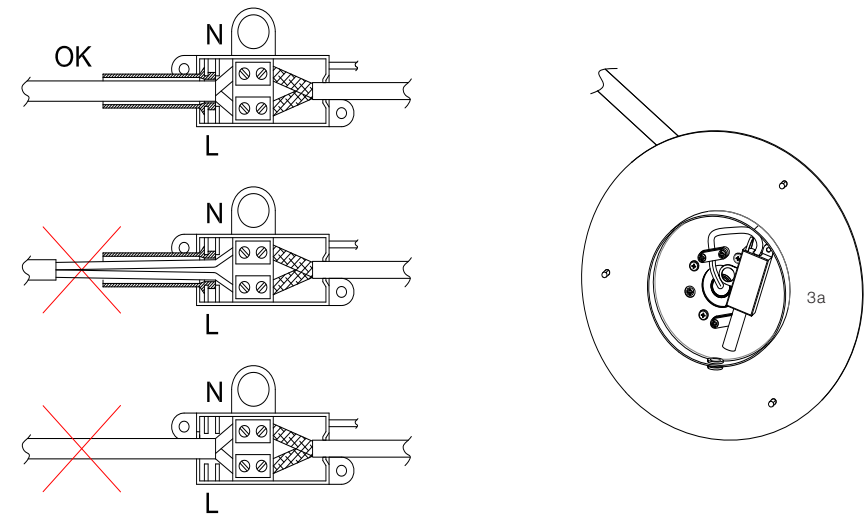
### 2.

Assemble the arms by inserting the extension (2a) arm onto the base arm (2b), and secure it with the two phillips screws (2c)



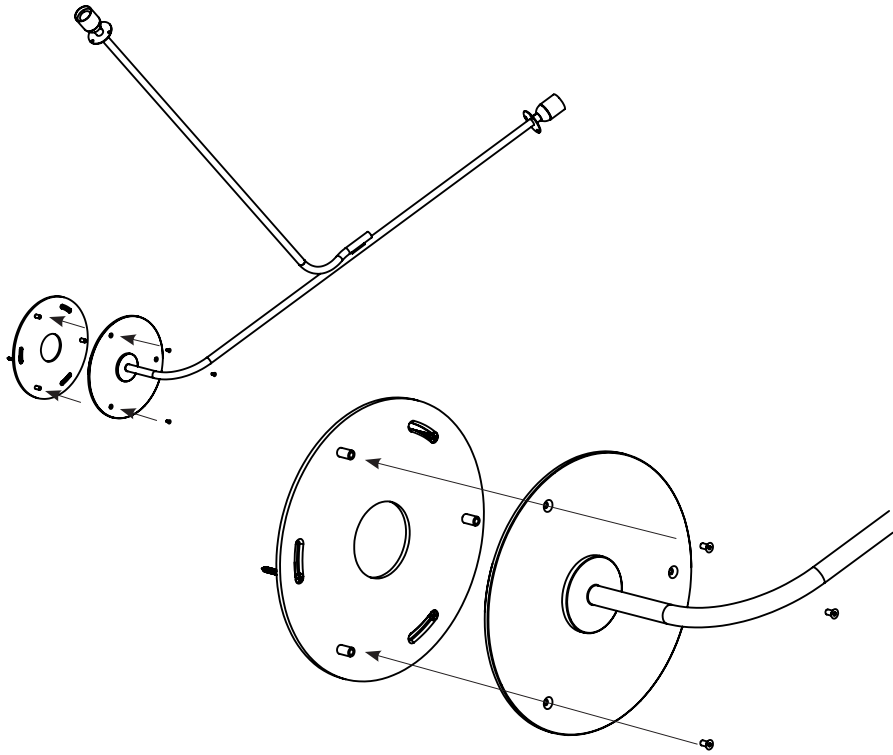
### 3.

Connect the mains wires to the connection terminal located inside the base (3a)



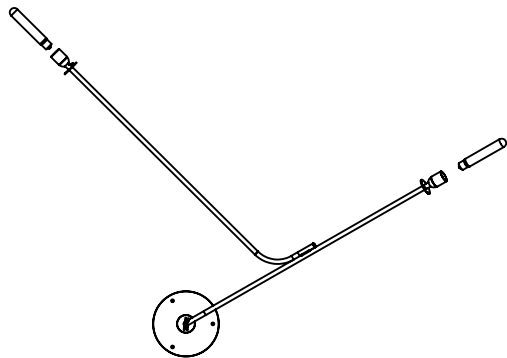
4.

Assemble the lamp with the mounting bracket using the three hex screws.



5.

Insert lightbulbs.



6.

Assemble the shades by inserting them onto the lamp sockets, and securing them with supplied mounting screws.

