

Safety instructions

Important! Before commencing installation work disconnect the main cable from the power supply - remove fuse or turn switch to "OFF"!

1. Installation should be carried out in accordance with the local safety regulations.
2. In order to prevent damage, please check walls for cables before drilling holes.
3. Please ensure that all electrical connections (even pre-assembled lamps) are screwed tightly or are fully inserted as good contact is essential for a long life-span at high currents. Please check for tight connections after changing or adjusting lamps. Screwed connections must be tightened after 20 minutes.
4. Please do not place objects on your system (e.g. for decorative purposes) if they were not delivered with the system.
5. The lamps get very hot when in use. Please allow lamps to cool down before touching.
6. Do not change lamps or spots when switched on.
7. System should not be enlarged with additional lamps.
8. We reserve the right to make technical alterations.

Please keep these instructions.

Fitting: E27

Use of a dimmer is highly recommended
(Must be compatible with type of bulb.)

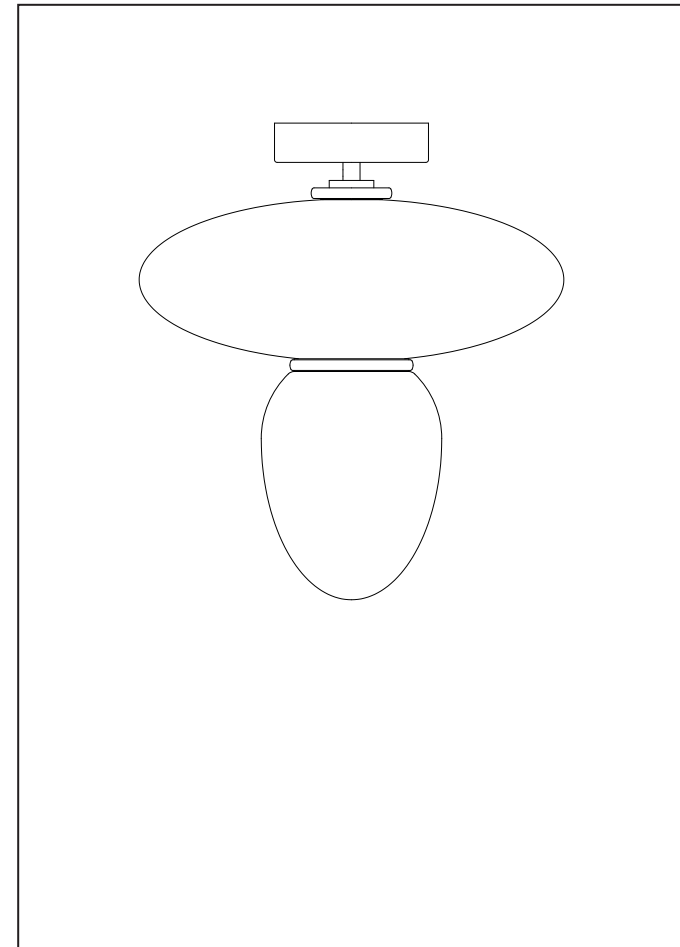
The glass used for this lamp is hand-blown.

Only 1st. quality has been chosen.

Air bubbles and variations in thickness and colour is normal.

Rizzato 32

Assembly Instructions



NUURA

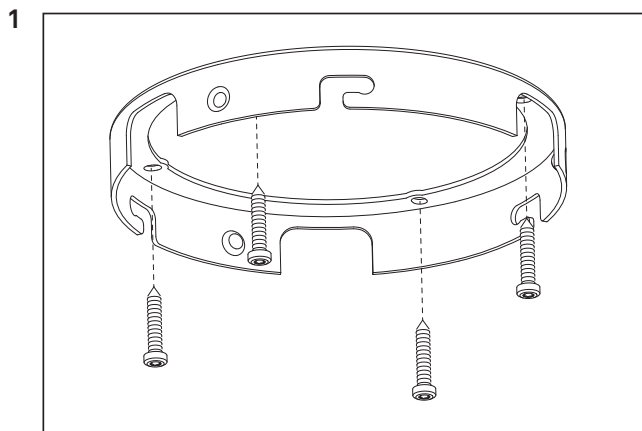
www.nuura.com
info@nuura.com

CE

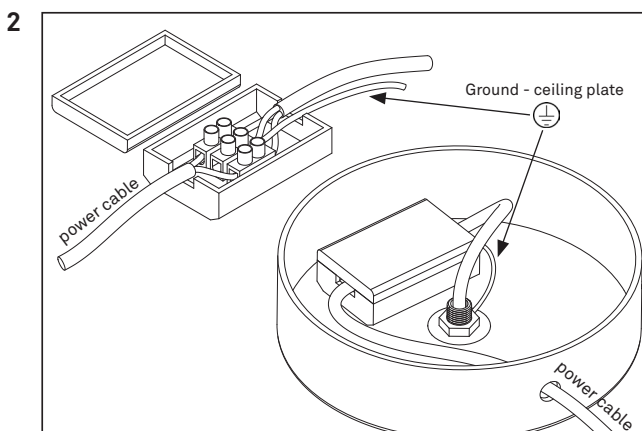
© 2019 All rights reserved

NUURA

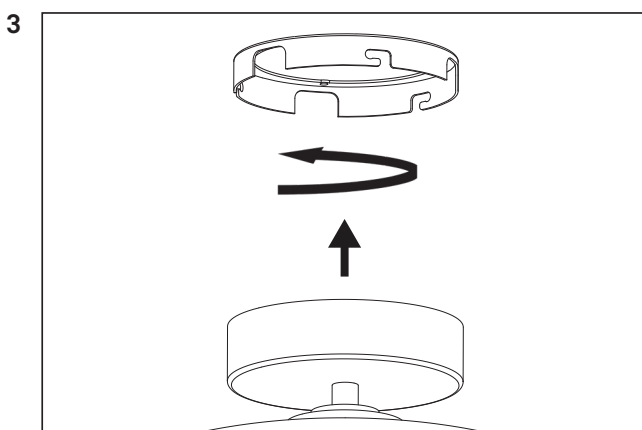
© 2019 All rights reserved



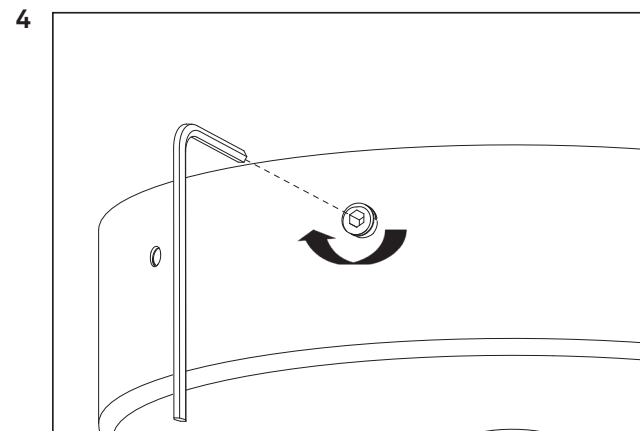
Mount the top plate to the ceiling with screws.
Please make sure it is fixated properly.



Install the power cable by leading it through either the top or the side of the ceiling plate into the cable connector.



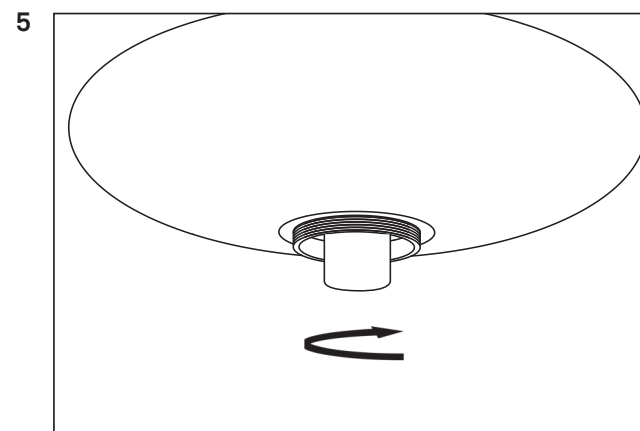
Attach the lamp to the top plate by turning the lamp.



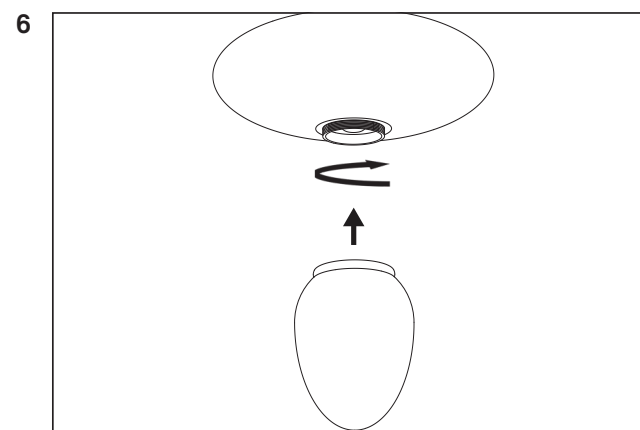
Fixate with the socket screw.
Install the socket screw with the Allen key provided.

NB: Please use only correct provided Allen key.

Please make sure everything is fixated properly.



Screw the light bulb into the socket.

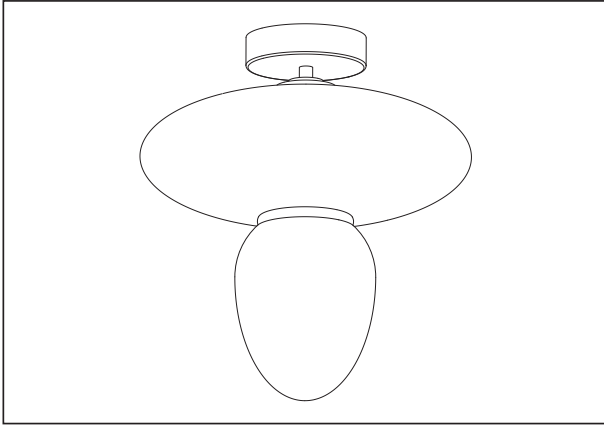


Take the lower glass and carefully place it over the light bulb and socket.

Fixate it by turning the glass clockwise.

Please make sure they are fixated properly.

7



Completed.