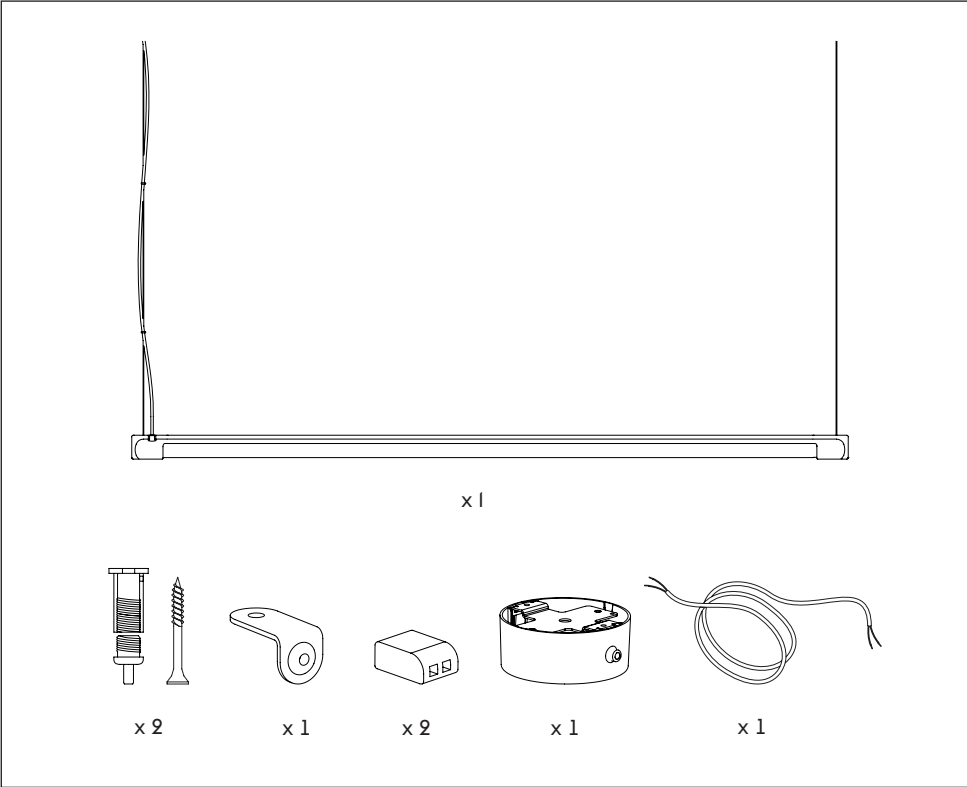


FINE SUSPENSION LAMP — 90 CM

— TAF Studio

CONTENT – INDHOLD – INHALT – CONTENUTO – CONTENIDO

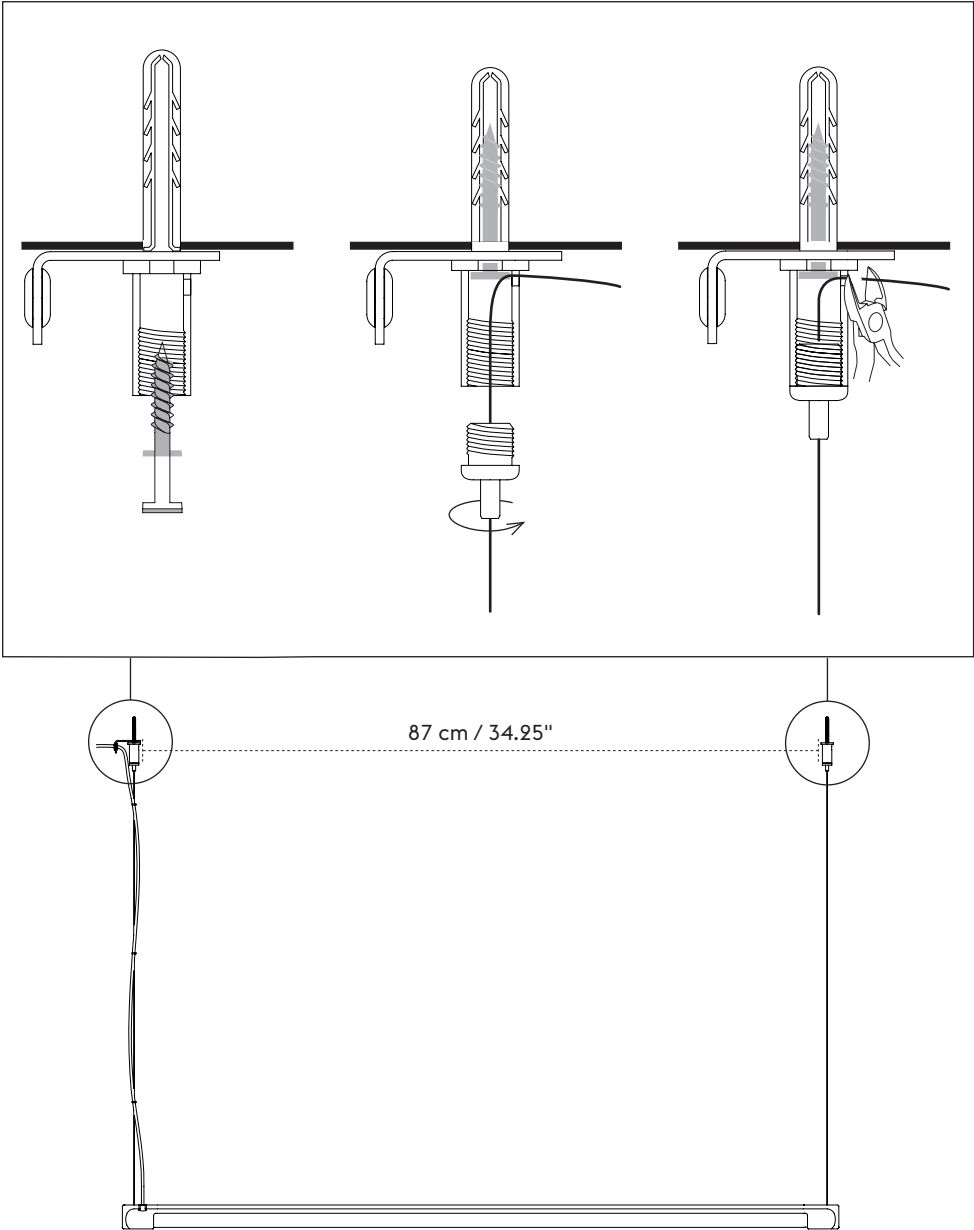


FINE SUSPENSION, 90CM
INPUT: AC 220-240V – 50/60HZ
OUTPUT: DC24V, 20W LED

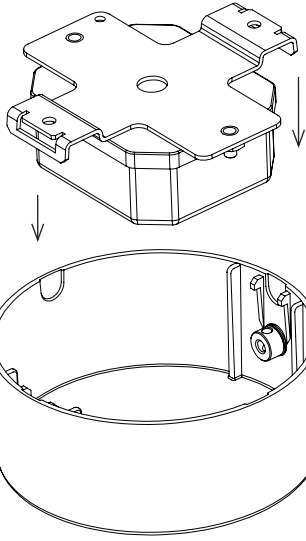


ASSEMBLY INSTRUCTION – SAMLEMANUAL – MONTAGEANLEITUNG
INSTRUCCIONES DE MONTAJE – INSTRUCCIONES DE MONTAJE

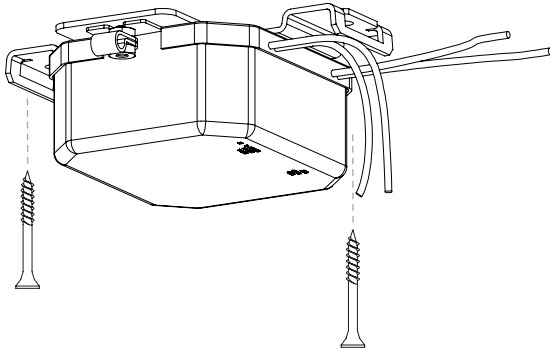
1



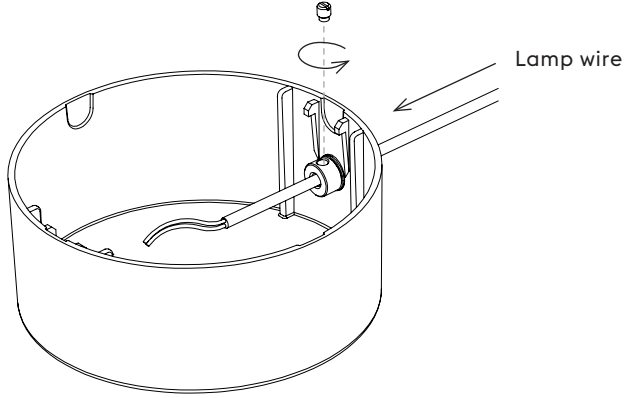
2



3



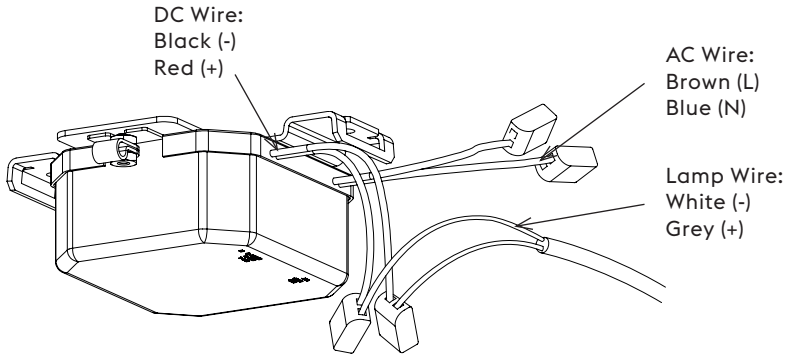
4



5a

CONNECT TO ELECTRICAL OUTLET

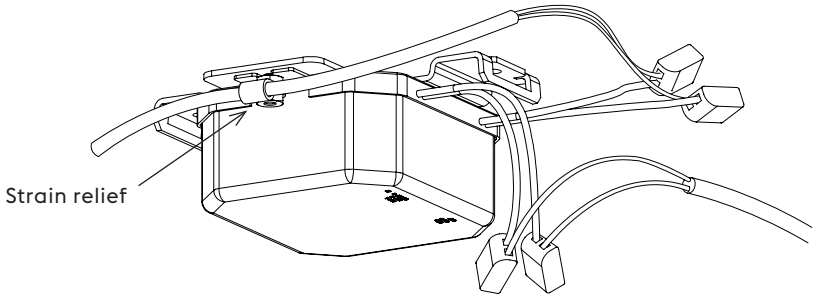
Connect black to white wire (-), red to grey wire (+).
Connect brown and blue wire to electrical outlet.



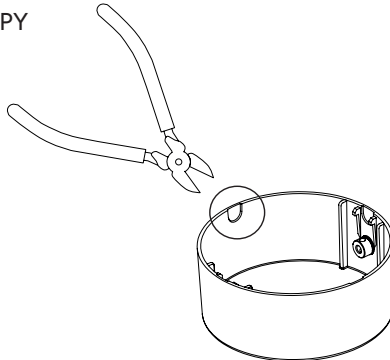
5b

1. CONNECT TO EXTERNAL AC CORD

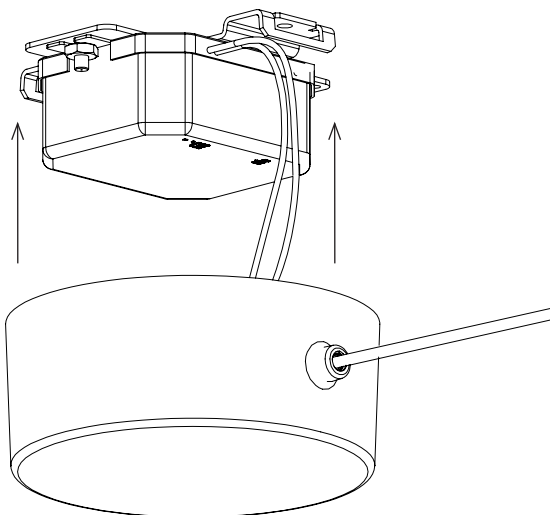
Connect brown and blue wire to external AC cord.
Secure AC cord in strain relief.



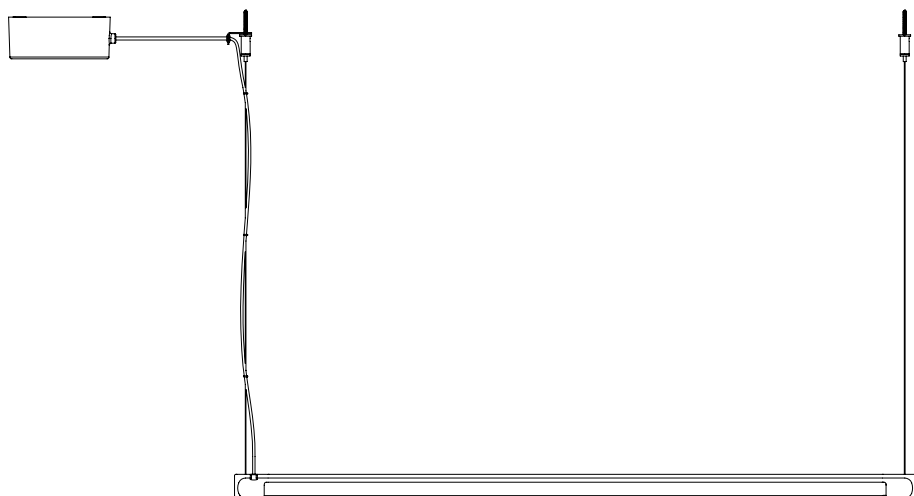
2. CUT HOLE IN CANOPY



6



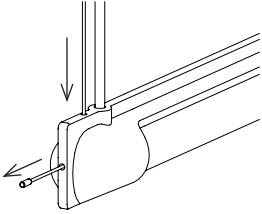
7



VERTICAL SUSPENSION

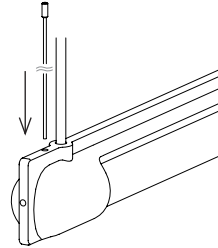
A)

Start removing the metal wire by first pushing it into the wire slot, exposing the rubber covered end, before pulling the remaining wire through the profile.



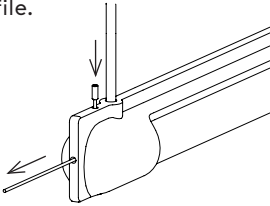
B)

Re-insert metal wire into wire slot, exposed end first.



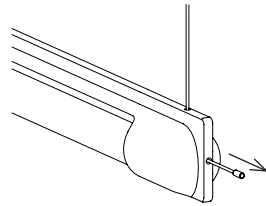
C)

Pull the metal wire through the profile until the rubber end is fully inserted in the profile.



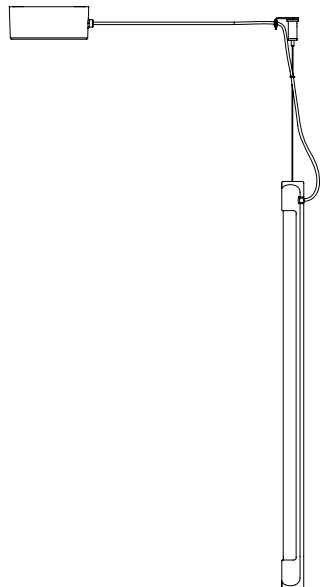
D)

Remove the other wire by following step A.



E)

Suspend the lamp following step 1, using only 1 wire gripper.



CLEANING – RENGØRING – REINIGUNG – NETTOYAGE – LIMPIEZA

- EN Turn off electricity, clean with dry cloth.
- DK Afbryd elektricitet, rengør med tør klud.
- DE Strom abschalten, mit einem trockenen Tuch reinigen.
- FR Eteindre l'électricité, nettoyer avec un chiffon humide.
- ES Apague la electricidad, limpie con un paño seco.

ATTENTION – BEMÆRK – ACHTUNG – ATTENTION – ATENCIÓN

- EN If the external flexible cable or cord of this lamp is damaged, it shall be exclusively replaced by the manufacturer, the service agent or a similar qualified person in order to avoid a hazard.
- DK I tilfælde af en skade på lampens ledning bør denne skiftes af producenten eller en professionel elektriker for at mindske risici.
- DE Wenn das externe flexible Kabel dieser Leuchte beschädigt wird, wenden Sie sich ausschließlich an den Hersteller, seinen Kundendienst oder eine ähnlich qualifizierte Person, um eine Gefährdung zu vermeiden.
- FR Si le câble de ce luminaire est endommagé, il doit être remplacé exclusivement par le fabricant ou par une personne qualifiée afin d'éviter tout incident.
- ES Si el cable exterior flexible o el cordón de esta luminaria está dañado, debe ser sustituido exclusivamente por el fabricante o en su defecto su servicio técnico o un profesional cualificado similar para evitar posibles riesgos.