

## Safety instructions

Important! Before commencing installation work disconnect the main cable from the power supply - remove fuse or turn switch to "OFF"!

1. Installation should be carried out in accordance with the local safety regulations.
2. In order to prevent damage, please check walls for cables before drilling holes.
3. Please ensure that all electrical connections (even preassembled lamps) are screwed tightly or are fully inserted as good contact is essential for a long life-span at high currents. Please check for tight connections after changing or adjusting lamps. Screwed connections must be tightened after 20 minutes.
4. Please do not place objects on your system (e.g. for decorative purposes) if they were not delivered with the system.
5. The lamps get very hot when in use. Please allow lamps to cool down before touching.
6. Do not change lamps or spots when switched on.
7. System should not be enlarged with additional lamps.
8. Use of a dimmer is highly recommended. Dimmer must be compatible with type of light source.
9. To avoid greasy fingerprints it is recommended to wear white cotton gloves when handling visible metal and glass parts.
10. If the external flexible cable or cord of this luminaire is damaged, it shall be exclusively replaced by the manufacturer or his service agent or a similar qualified person in order to avoid a hazard.
11. The glass used for this lamp is hand-blown. Only 1st quality has been chosen. Air bubbles and variations in thickness and colour is normal.
12. We reserve the right to make technical alterations.

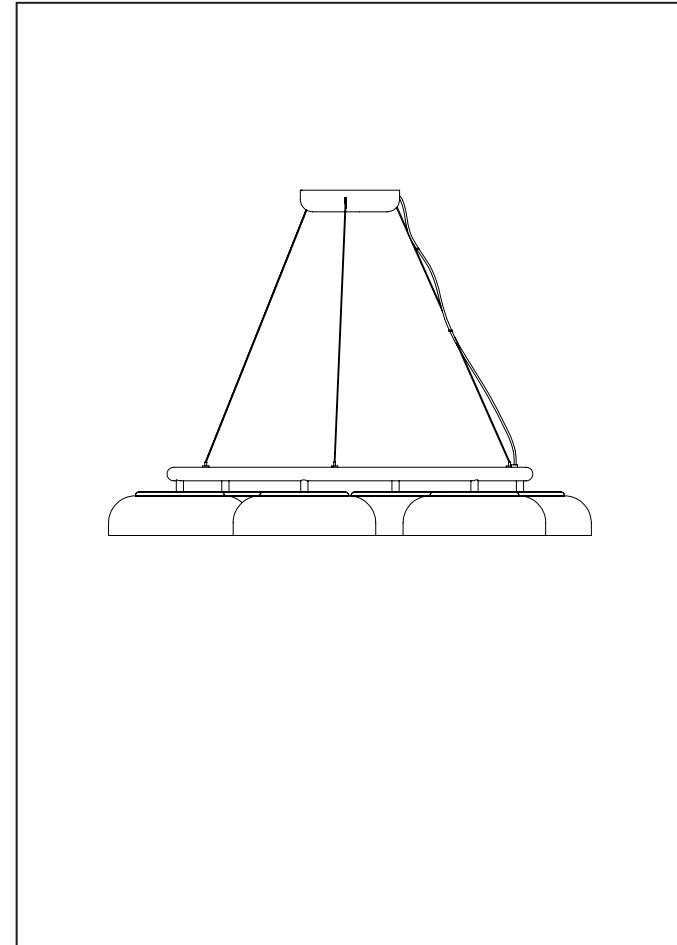
Please keep these instructions.

Fitting: Replaceable LED-module (D60-2835-3C6B-12V-6W)

2023-09-20 EU

# Blossi 6

## Assembly Instructions



NUURA

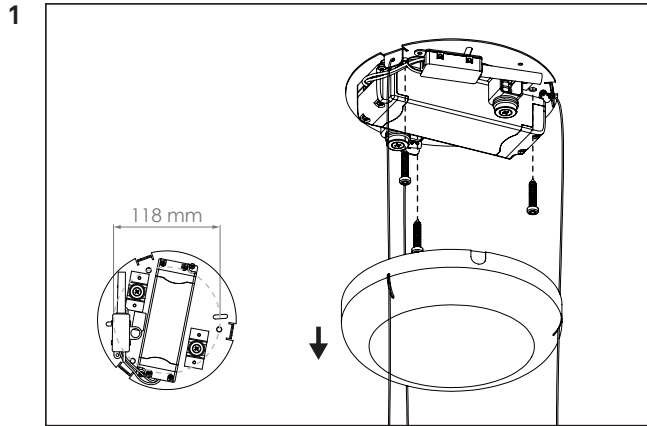
www.nuura.com  
info@nuura.com

© 2022 All rights reserved



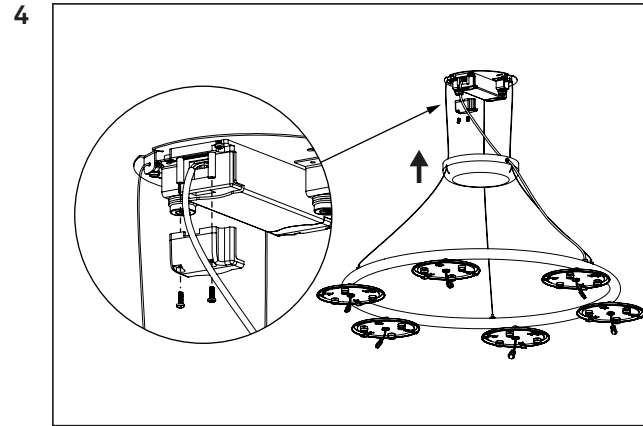
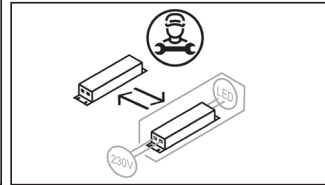
NUURA

© 2022 All rights reserved



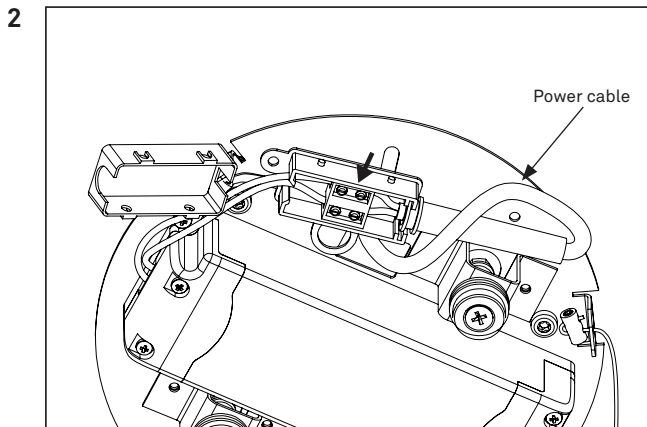
Remove the cover on the canopy. Magnets hold the cover in place.

Mount the bracket to the ceiling with screws. Make sure to use appropriate rawplugs/anchors for your construction. (Screws and rawplugs are not included.)



Shorten the lamp cable if necessary and connect it to the secondary (low voltage) side of the driver.

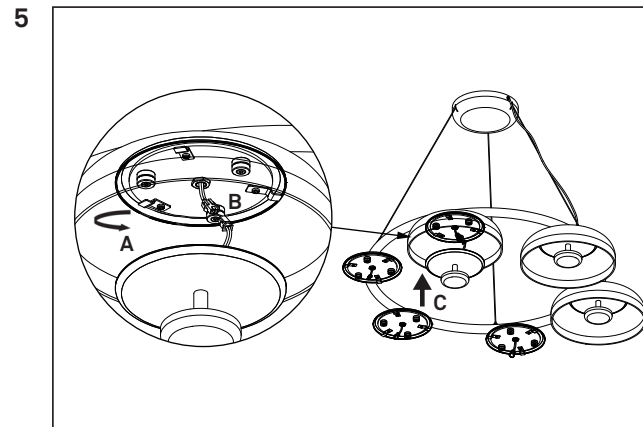
Place the cover over the canopy. Be careful, the strong magnets snap the cover in place.



Lead the power cable through the hole in the mounting bracket and into the connector box.

Connect the power cable (230V) to the 2 pole cable terminal. Match the brown wire with "L", and the blue wire with "N".

Close the lid on the connector box.

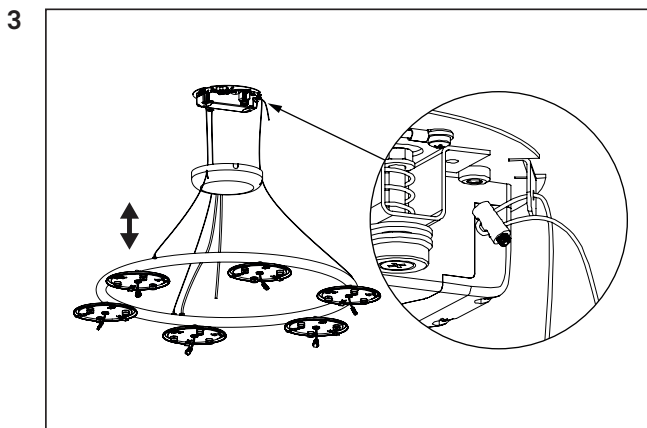
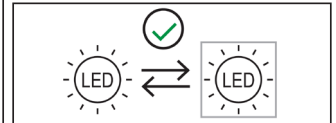


A: Place glass on lamp base and turn the three locks to hold it in place.

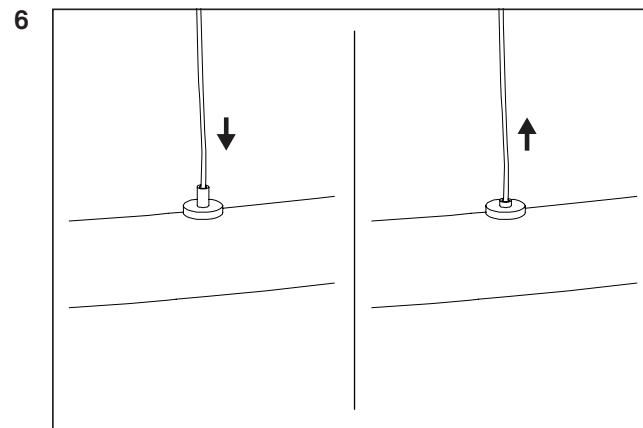
B: Push connectors together.

C: Place the lamp module over the glass. Magnets will hold it in place.

LED-module replaceable by end-user. Instructions at [www.nuura.com](http://www.nuura.com)



Roughly adjust the lamp height. Lock in place with the wire locks. The final position will be adjusted as the last step of the installation process.



Use the wire locks on the ring to adjust the lamp to its final position. It is recommended to use a spirit level.

Push down the pin on the wire locks to pull out wire.

Complete.